

9-144836-5 ✓ ACTIVE

FASTIN-FASTON | FASTIN-FASTON 312

TE Internal #: 9-144836-5

Crimp Terminal Housings, Tab, Tab Housing, 5 Position, Straight, White, Polyamide - GF, Contact Mating Retention, Mating Alignment, FASTIN-FASTON 312

[View on TE.com >](#)



Terminals & Splices > Terminal Housings, Insulation Sleeves & Blocks > Crimp Terminal Housings



Terminal Type: **Tab**

Housing Type: **Tab Housing**

Number of Positions: **5**

Terminal Orientation: **Straight**

Primary Product Color: **White**

Features

Product Type Features

Product Type	Terminal Housing
Sealable	No
Housing Type	Tab Housing
Insulated	No

Configuration Features

Number of Positions	5
---------------------	---

Body Features

Primary Product Color	White
-----------------------	-------

Contact Features

Terminal Type	Tab
Terminal Orientation	Straight
Contact Mating Retention	With

Mechanical Attachment



Mating Alignment Type	Keyed
Mating Alignment	With
Crimp Terminal Housing Mounting Style	Cable Mount (Free-Hanging)

Housing Features

Housing Material	Polyamide - GF
Centerline (Pitch)	5 mm[.197 in]

Dimensions

Height	28.6 mm[1.13 in]
--------	------------------

Usage Conditions

Operating Temperature Range	-40 – 105 °C[-40 – 221 °F]
-----------------------------	----------------------------

Packaging Features

Packaging Quantity	800
Packaging Method	Carton

Product Compliance

[For compliance documentation, visit the product page on TE.com>](#)

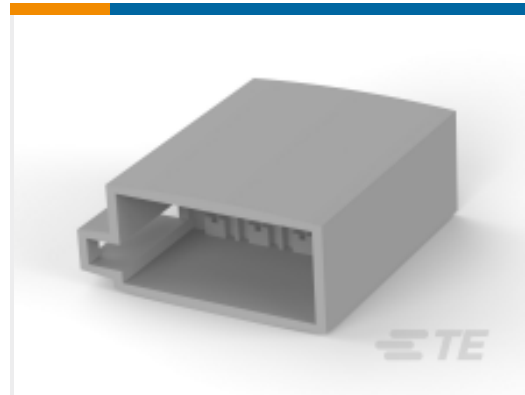
EU RoHS Directive 2011/65/EU	Compliant
EU ELV Directive 2000/53/EC	Compliant
China RoHS 2 Directive MIIT Order No 32, 2016	No Restricted Materials Above Threshold
EU REACH Regulation (EC) No. 1907/2006	Current ECHA Candidate List: JUNE 2022 (224) Candidate List Declared Against: JUNE 2022 (224) Does not contain REACH SVHC
Halogen Content	Low Halogen - Br, Cl, F, I < 900 ppm per homogenous material. Also BFR/CFR/PVC Free
Solder Process Capability	Not applicable for solder process capability

Product Compliance Disclaimer

This information is provided based on reasonable inquiry of our suppliers and represents our current actual knowledge based on the information they provided. This information is subject to change. The part numbers that TE has identified as EU RoHS compliant have a maximum concentration of 0.1% by weight in homogenous materials for lead, hexavalent chromium, mercury, PBB, PBDE, DBP, BBP, DEHP, DIBP, and 0.01% for cadmium, or qualify for an exemption to these limits as defined in the Annexes of Directive 2011/65/EU (RoHS2). Finished electrical and electronic equipment products will be CE marked as required by Directive 2011/65/EU. Components may not be CE marked. Additionally, the part numbers that TE has identified as EU ELV compliant have a maximum concentration of 0.1% by weight in homogenous materials for lead, hexavalent chromium, and mercury, and 0.01% for cadmium, or qualify for an exemption to these limits as defined in the Annexes of Directive 2000/53/EC (ELV). Regarding the REACH Regulation, the information TE provides on SVHC in articles for this part number is based on the latest European Chemicals Agency (ECHA) 'Guidance on

requirements for substances in articles' posted at this URL: <https://echa.europa.eu/guidance-documents/guidance-on-reach>

Compatible Parts



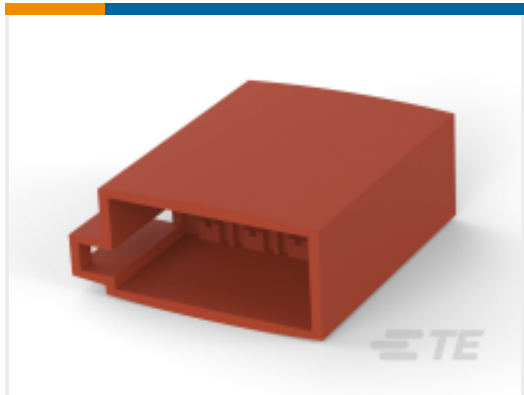
TE Part # 106455-3
FF 110 PLUG HSG 8P.



TE Part # 180901
FF 250 TAB HSG 4P NYLON NAT



TE Part # 1-180908-0
FF 250 TAB HSG 2P NYLON NAT



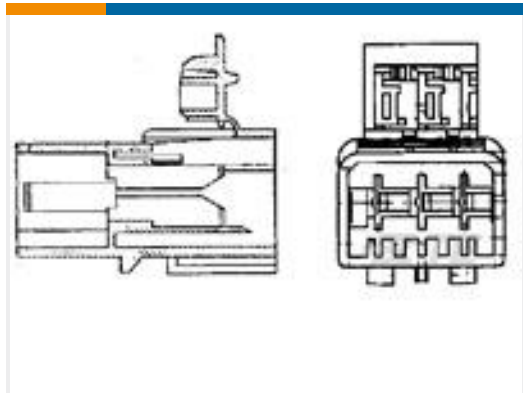
TE Part # 106455-4
FF 110 PLUG HSG 8P.



TE Part # 1-626065-2
FF 110 2P HOUSING TAB NATURAL
PA6.6 V-0



TE Part # 1-480282-0
FF 250 TAB HSG 6P NYLON BLACK



TE Part # 1-144836-5
HOUSING TAB 5MM 5 P BROWN



TE Part # 1-480251-0
FF 187 TAB HSG 3P NYLON NAT



TE Part # 1-880298-0
FASTON .250 SERIES (6.3 MM)
HOUSING

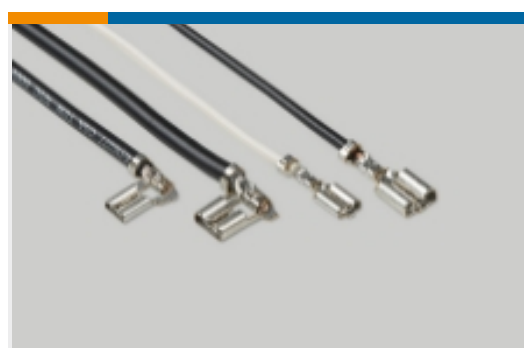


TE Part # 5-144835-3
HOUSING TAB 5MM 3 P GREEN

Also in the Series | FASTIN-FASTON 312



Crimp Terminal Housings(13)



Quick Disconnects(14)

Documents

Product Drawings

DOUBLE LOCKING 5 MM HOUSING TAB PA66

English



CAD Files

Customer View Model

[ENG_CVM_9-144836-5_B.3d_igs.zip](#)

English

Customer View Model

[ENG_CVM_9-144836-5_B.3d_stp.zip](#)

English

Customer View Model

[ENG_CVM_9-144836-5_B.2d_dxf.zip](#)

English

3D PDF

English

By downloading the CAD file I accept and agree to the [Terms and Conditions](#) of use.